

GS3

Features

The wire rope, upper clamp and bottom plate of the GS3 arched series stainless steel wire rope isolator are all made of stainless steel.
 Full specifications and models, with a load range of 20N~4000N, which is sufficient for the selection of ship electric control boxes, electronic instruments and power auxiliary equipment. The natural frequency of this series of isolators is 6~10Hz, the damping ratio is greater than 0.18, and the shock isolation is greater than 90%.
 The isolator is resistant to oil, seawater, salt spray, sunlight and high and low temperatures (-70°C~260°C), meeting the ship environmental conditions and GJB150.18 ship equipment impact test requirements.
 It is suitable for a variety of installation methods such as horizontal placement, side hanging, 45° tilt and suspension; the installation holes can be selected in two forms: threaded holes and light holes.
 It is suitable for vibration isolation and impact resistance of electric control equipment and electronic instruments in ships, aerospace, aviation, vehicles and other industries, and can also be used for vibration isolation and impact resistance of power auxiliary equipment such as pumps, fans, motors, engines, etc.



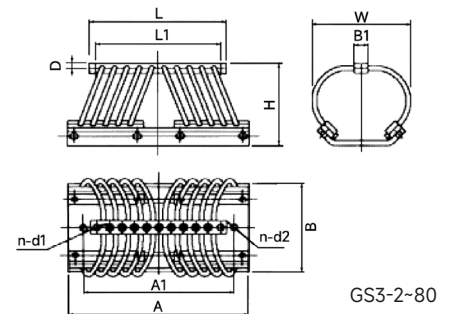
Technical Data

Type	Model No.	Horizontal Placement			Side Mounting			Damping Ratio (C/Cc)	Isolation (%)
		Rated Load (kg)	Static Deformation (mm)	Natural Frequency (Hz)	Rated Load (kg)	Static Deformation (mm)	Natural Frequency (Hz)		
GS3	2	20	4±1	10±2	10	4±1.5	10±2	≥0.18	≥90%
	3	30	4±1	10±2	18	4±1.5	10±2		
	5	50	5±1.5	10±2	40	5±1.5	10±2		
	8	80	5±1.5	10±2	60	5±1.5	10±2		
	10	100	5±1.5	10±2	80	5±1.5	10±2		
	15	150	5±1.5	9±2	100	6±1.5	9±2		
	20	200	5±1.5	9±2	140	6±1.5	9±2		
	30	300	6±1.5	9±2	180	6±1.5	9±2		
	40	400	6±1.5	9±2	240	6±1.5	9±2		
	60	600	7±1.5	9±2	300	7±1.5	9±2		
	80	800	7±1.5	9±2	600	7±1.5	9±2		
	100	1000	8±2	8±2	600	8±2	8±2		
	150	1500	8±2	8±2	700	9±2	8±2		
	200	2000	10±2	8±2	1000	10±2	8±2		
	250	2500	10±2	7±2	1500	10±2	7±2		
	300	3000	12±2	6±1.5	1500	12±2	6±1.5		
400	4000	12±2	6±1.5	2000	12±2	6±1.5			

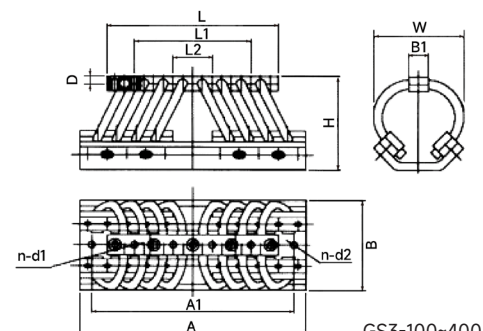
Installation Dimensions (mm)

Type	Model No.	A	A1	L	L1	L2	H	W	B	B1	D	n-d1	N-d2
GS3	2	88	72	70	58		35	38	38	10	3	2-Φ5	2-Φ5
	3	88	72	70	58		35	38	38	10	3	2-Φ5	2-Φ5
	5	98	82	80	68		37	35	38	10	3	2-Φ5	2-Φ5
	8	107	90	84	70		42	40	42	13	3.5	2-Φ6	2-Φ6
	10	118	98	96	83		43	40	42	13	3.5	2-Φ6	2-Φ6
	15	119	91	88	76		51	52	51	14	4	2-Φ6	2-Φ6
	20	137	109	106	94		51	52	51	14	4	2-Φ6	2-Φ6
	30	158	128	113	100		74	82	82	14	5	2-Φ7	2-Φ7
	40	182	152	138	125		76	82	82	14	5	2-Φ7	2-Φ7
	60	196	166	142	96		92	94	94	16	6.5	2-Φ7	2-Φ7
	80	196	166	142	96		80	90	94	16	6.5	2-Φ7	2-Φ7
	100	248	218	177	117	39	120	112	112	26	10	4-Φ9	3-Φ11
	150	260	230	188	126	42	129	125	112	26	10	4-Φ9	3-Φ11
	200	260	230	188	126	42	122	118	112	26	10	4-Φ9	3-Φ11
	250	260	230	188	126	42	114	110	112	26	10	4-Φ9	3-Φ11
	300	290	260	220	150	50	146	144	125	26	10	4-Φ9	3-Φ11
400	290	260	220	150	50	138	135	125	26	10	4-Φ9	3-Φ11	

(Note: n=3, one of the holes is at the center of the length of the base plate)



GS3-2-80



GS3-100-400